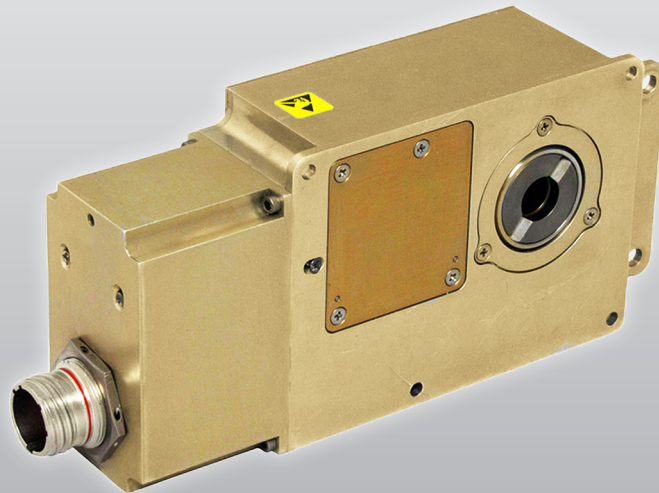


Autopilot Actuator

Low Profile



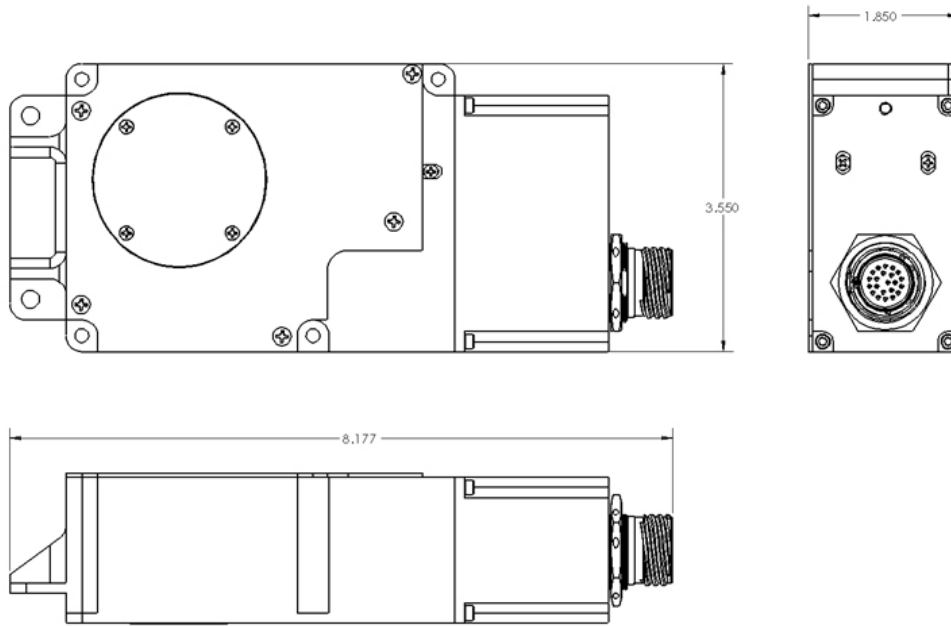
Compact, Precision-Gearred Design

The Kearfott Low-Profile Autopilot Actuator is an innovative design for both manned and unmanned aircraft. The actuator provides flight control augmentation to reduce pilot workload in conjunction with high-integrity flight controllers. Additionally, it provides a fail-safe, low-backlash connection between the flight controls and the actuator. Its unique mounting configuration provides a solution that can be adapted to many different structures and output shaft configurations, while the thin profile allows the actuator to fit in places other actuators cannot.

The low-profile autopilot actuator is based on a digital controller. The controller provides built-in-test functionality and configurability that allows for on-aircraft rigging and adjustable travel limits. The controller communicates with the autopilot computer over a full-duplex serial bus.

Features & Benefits

- ✓ Zero Backlash Mechanism
- ✓ Low-Profile Design
- ✓ Environmentally Sealed Housing
- ✓ Powerful & Lightweight
- ✓ Fail-Passive Architecture
- ✓ < 1 in-lb Disengaged Backdriving Torque
- ✓ Standardized Installation



Autopilot Actuator Product Specifications

<i>Physical Characteristics</i>	
Size	20.8 cm L x 9 cm H x 4.8 cm W (8.2 in L x 3.6 in H x 1.9 in W)
Weight	4 lbs
<i>Input/Output</i>	
Power Input	28 VDC
Interface	RS-422
<i>Typical Performance Characteristics</i>	
Nominal Operating Voltage	28 VDC
No-Load Speed	100°/s
Speed at 50 in-lb	40°/s
Stall Torque	100 in-lb
Position Feedback Accuracy	40°
Operating Temperature Range	-55 to 65°C (-67 to 149°F)